



SMOKEY JOE® PREMIUM CHARCOAL GRILL

Read owner's guide before using the barbecue.

Lisez le guide d'utilisation avant d'utiliser le barbecue.

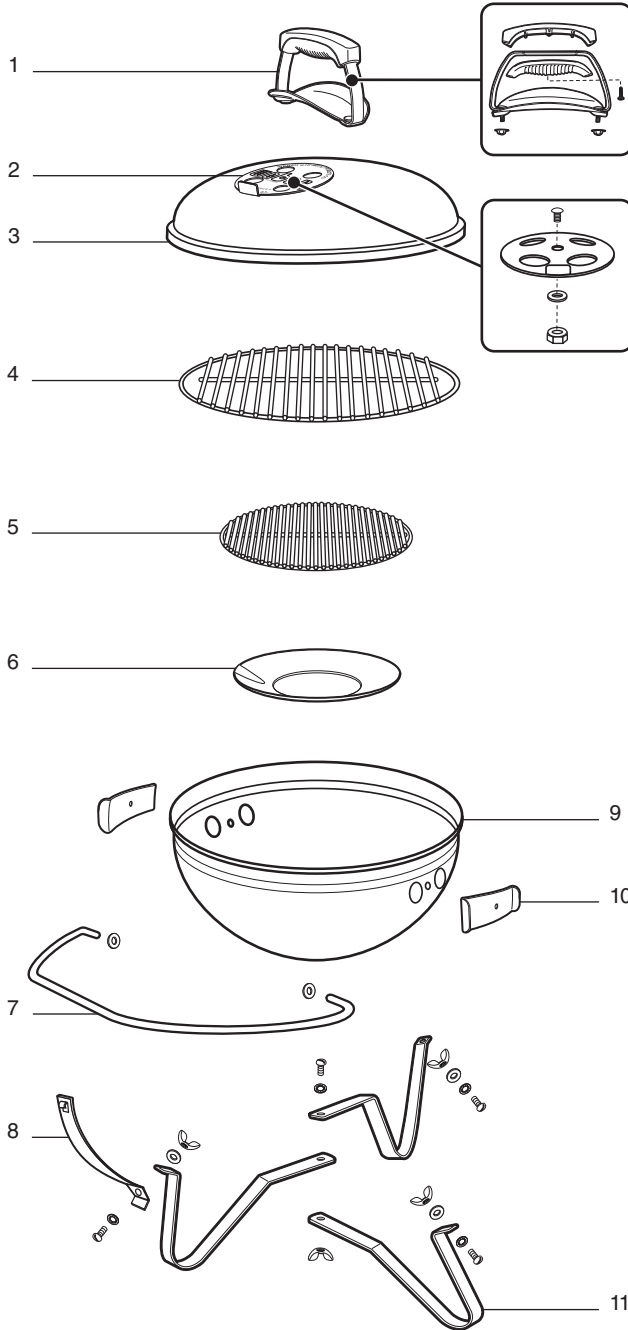
Lesen Sie das Benutzerhandbuch, bevor Sie den Grill verwenden.

14½ inch
(37 cm)

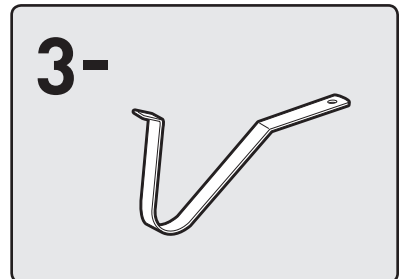
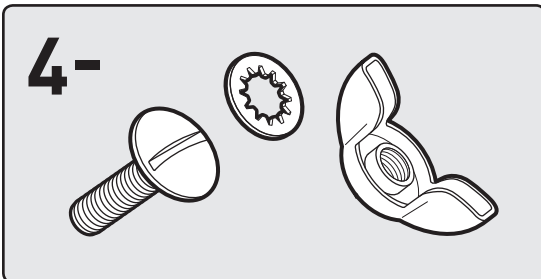
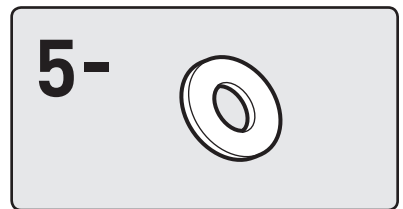
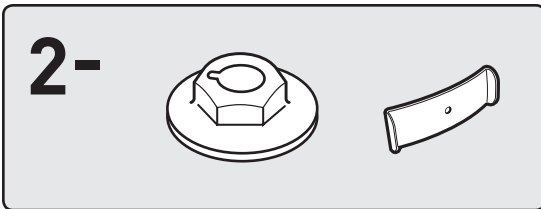
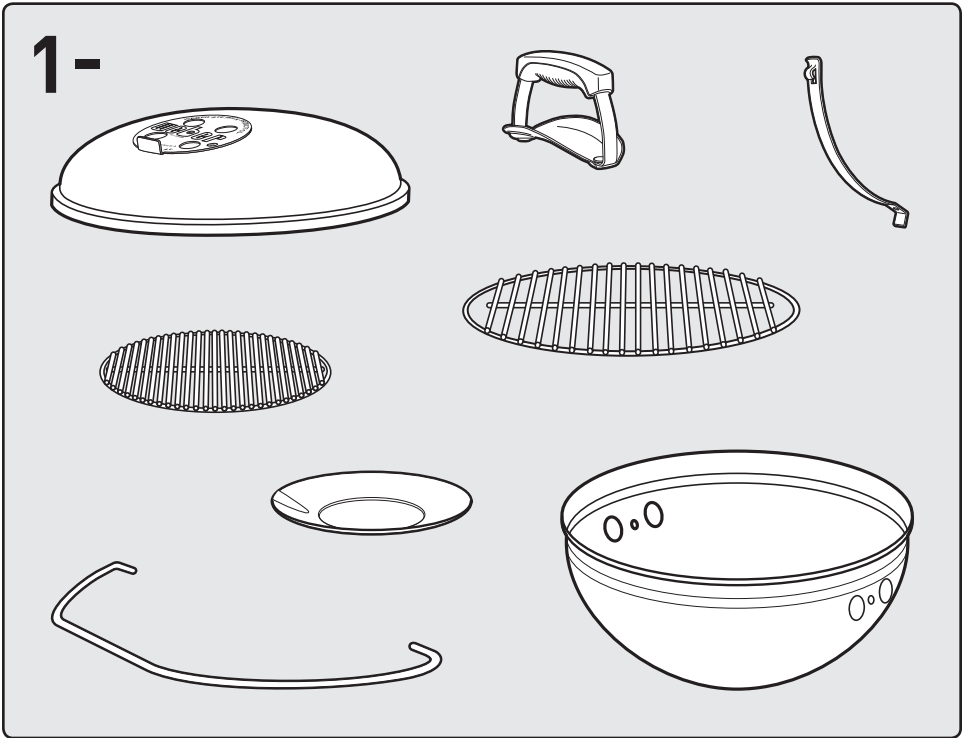
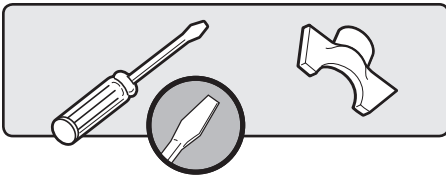


EXPLODED VIEW, VUE ÉCLATÉE, EXPLOSIONSDARSTELLUNG

Smokey Joe Premium_EURO 061509

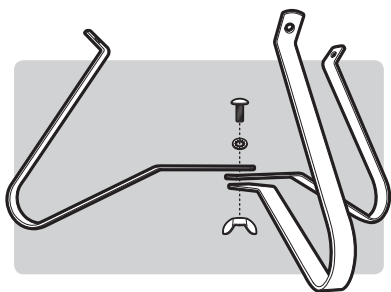


- 1. Lid Handle Assembly**
Poignée du couvercle
Deckelgriff
- 2. Lid Damper Assembly**
Clapet ventilation couvercle
Deckellüfter
- 3. Lid**
Couvercle
Deckel
- 4. Cooking Grate**
Grille de cuisson
Grillrost
- 5. Charcoal Grate**
Grille foyère
Holzkohlerost
- 6. Ash Catcher**
Coupelle cendrier
Ascheauffangschale
- 7. Lid Lock**
Verrouillage couvercle
Deckelverrieglung
- 8. Lid Lock Support**
Support de verrou de couvercle
Strebe für Deckelverrieglung
- 9. Bowl**
Cuve
Kessel
- 10. Bowl Damper**
Clapet ventilation couvercle
Lüfter am Kessel
- 11. Leg**
Pied
Beine



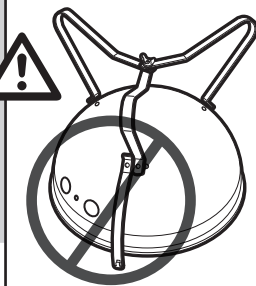
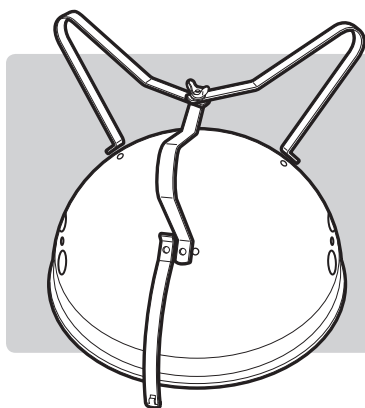
1

1-



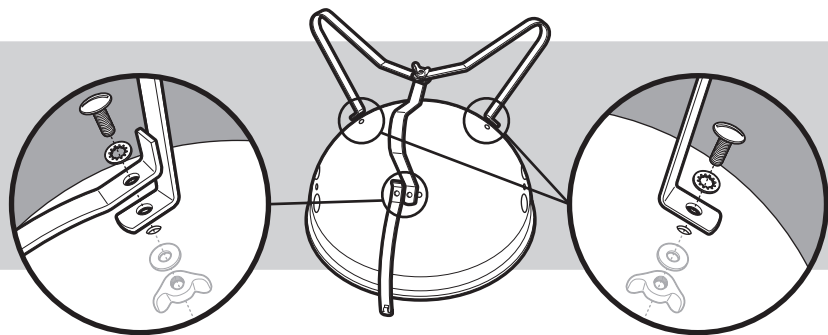
2

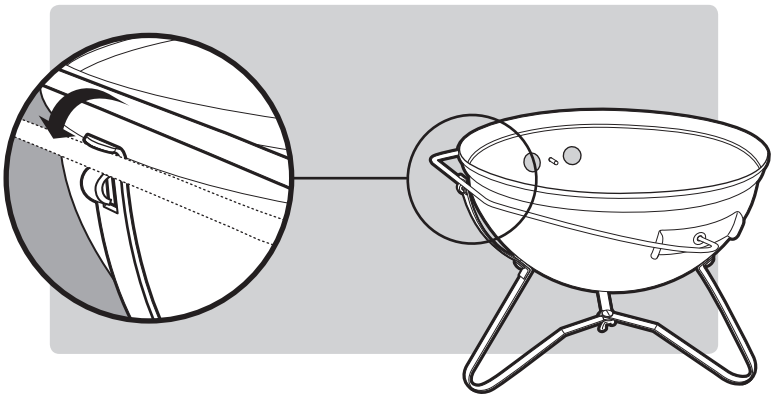
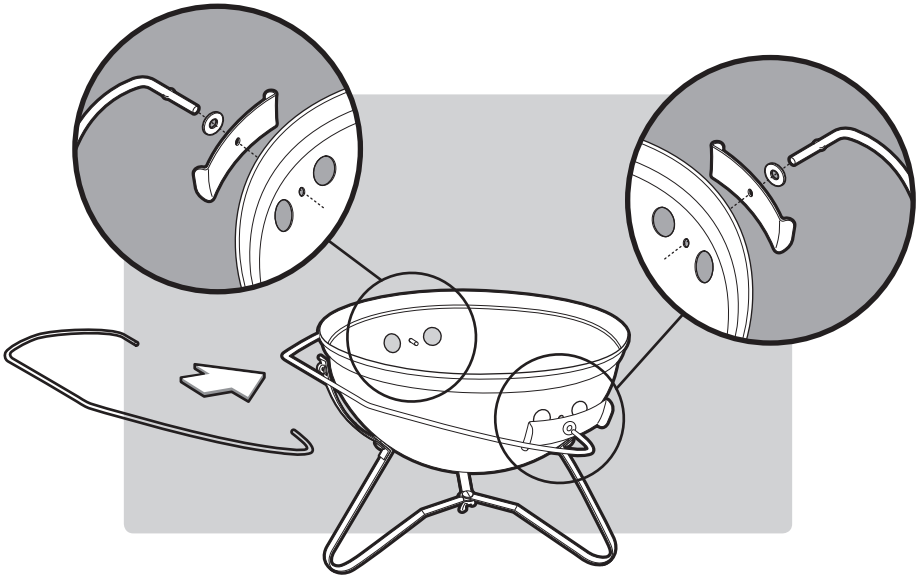
1-



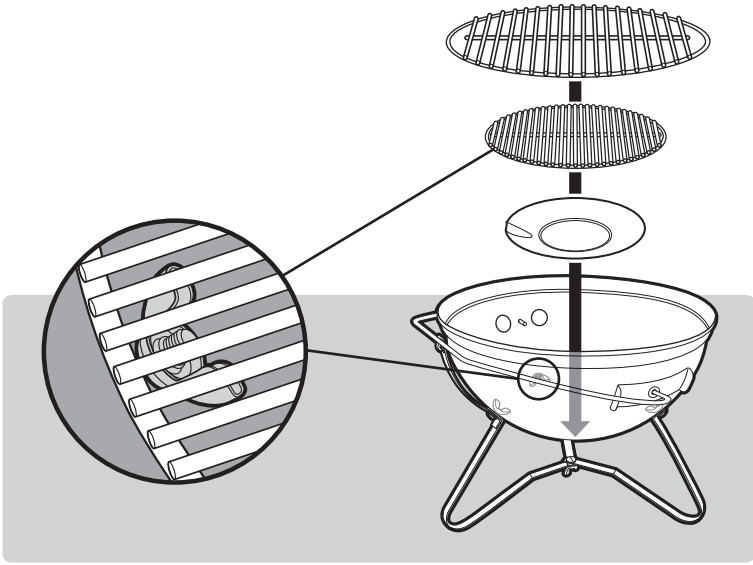
3

3-

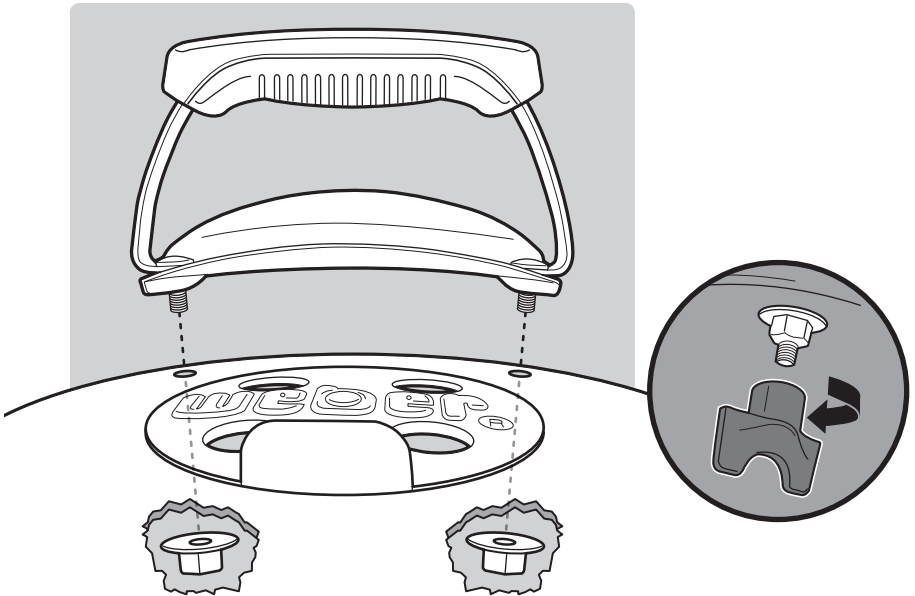


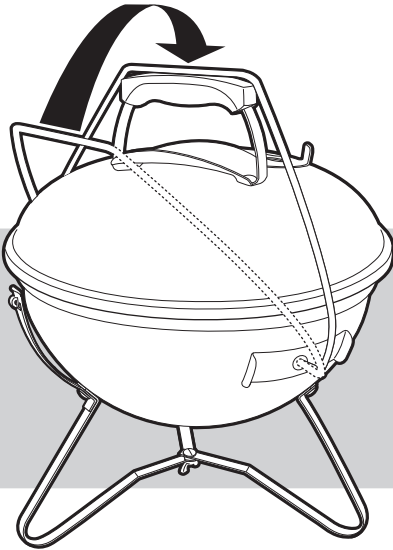
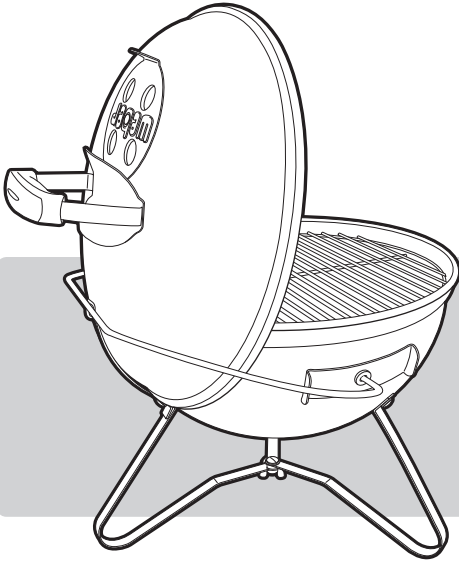


5



6







WEBER-STEPHEN PRODUCTS CO.
www.weber.com®

©2009 Designed and engineered by Weber-Stephen Products Co.,
an Illinois corporation, located at 200 East Daniels Road, Palatine, Illinois 60067 U.S.A.

Printed in U.S.A.